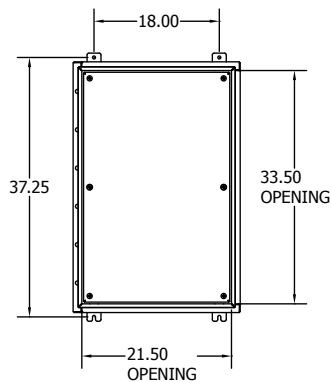
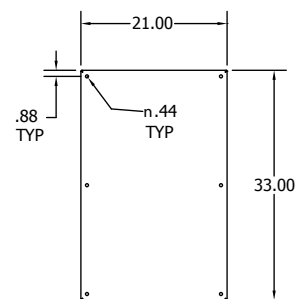


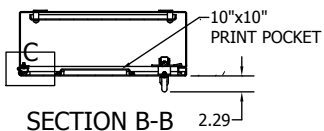
SECTION A-A



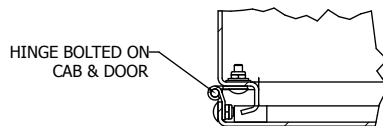
DOOR NOT SHOWN



ALUMINUM PANEL



SECTION B-B



DETAIL C

**OPTIONS:**

- Windows
- Drip Shields
- Floor Stands
- Painted Finishes
- Panel, Painted Steel

|  |     |                   |  |   |                                  |
|--|-----|-------------------|--|---|----------------------------------|
| 01   |     | PROTOTYPE RELEASE |  | 2017/6/27   | JGAO                             |
| REV  | ECN | DESCRIPTION       |  | DATE  | ENGINEER                         |
| REVISIONS  |     |                   |  |   |                                  |
| DIMENSIONS ARE IN INCHES.<br>UNLESS OTHERWISE SPECIFIED<br>TOLERANCES ARE:<br>FRACTIONS    DECIMALS    ANGLES<br>± 1/16            .XXX ± 0.15    ± 1° |     |                   |  | THIS DRAWING CONTAINS PROPRIETARY INFORMATION<br>AND IS THE PROPERTY OF APX ENCLOSURES, INC. AND<br>SHALL NOT BE TRANSMITTED OR REPRODUCED OR<br>USED AS THE BASIS FOR MANUFACTURE OR SALE<br>WITHOUT PRIOR WRITTEN PERMISSION. |                                  |
| BEND RADIUS<br>20% BEND DEDUCTION<br>63.04 lbmass  |     |                   |  | DRAWN: gao<br>26/06/17  | TCSL3624084X                     |
| 3RD ANGLE PROJECTION   |     |                   |  | CHECKED: gao<br>26/06/17  | SIZE: B<br>DWG. NO. 1-600-000456 |
| MATL   |     |                   |  | SCALE   | REV<br>SHEET 1 OF 1              |