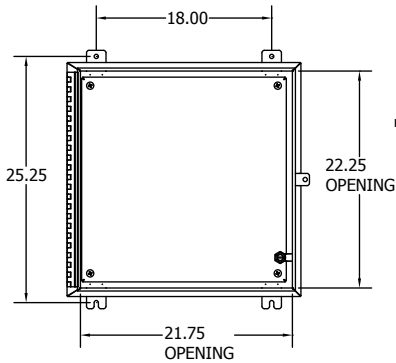
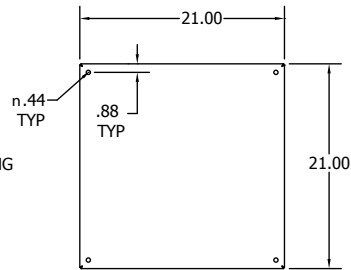


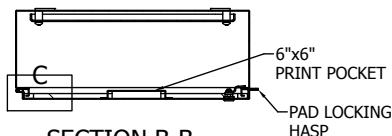
SECTION A-A



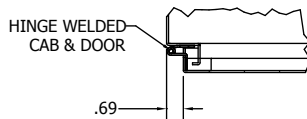
DOOR NOT SHOWN



ALUMINUM PANEL



SECTION B-B

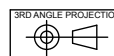


DETAIL C

OPTIONS:

- Windows
- Drip Shields
- Floor Stands
- Painted Finishes
- Panel, Painted Steel

01	ECN	PROTOTYPE RELEASE	2014/10/29	JGAO	
REV	ECN	DESCRIPTION	DATE	ENGINEER	
REVISIONS					
DIMENSIONS ARE IN INCHES:		THIS DRAWING CONTAINS PROPRIETARY INFORMATION AND IS THE PROPERTY OF APX ENCLOSURES, INC. AND SHALL NOT BE TRANSMITTED OR REPRODUCED OR USED AS THE BASIS FOR MANUFACTURE OR SALE WITHOUT PRIOR WRITTEN PERMISSION.			
UNLESS OTHERWISE SPECIFIED TOLERANCES ARE:					
FRACTIONS	DECIMALS				ANGLES
± 1/16	.XXX ± 0.15				± 1°
BEND RADIUS		CHECKED	DATE	TCSL2424084X	
OF BEND REDUCTION		BY	SCALE	SIZE	
20.64 lbm/ass		DATE	SCALE	SIZE	
MATERIAL		DATE	SCALE	SIZE	



4 | 3 | 2 | 1

4 | 3 | 2 | 1

B

B

A

A