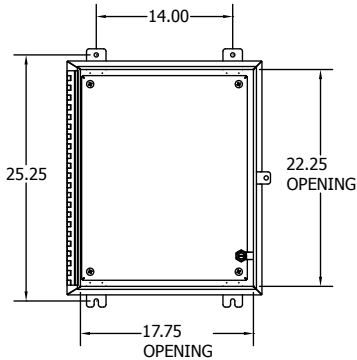
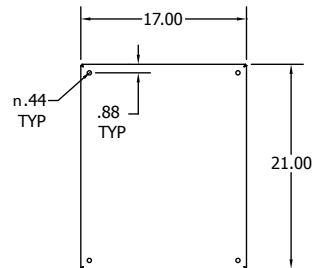


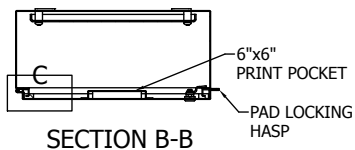
SECTION A-A



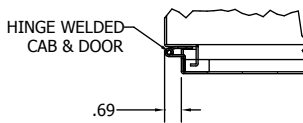
DOOR NOT SHOWN



ALUMINUM PANEL



SECTION B-B



DETAIL C

OPTIONS:

- Windows
- Drip Shields
- Floor Stands
- Painted Finishes
- Panel, Painted Steel

01	PROTOTYPE RELEASE	DESCRIPTION	2014/10/29	JGAG
REV	ECN	DATE	ENGINEER	
REVISIONS				
<small>DIMENSIONS ARE IN INCHES. UNLESS OTHERWISE SPECIFIED TOLERANCES ARE: FRACTIONS ± 1/16 DECIMALS .XXX ± 0.015 ANGLES ± 1°</small>				
<small>BEND RADIUS 90° BEND REDUCTION 20.64 lbmass</small>		<small>THIS DRAWING CONTAINS PROPRIETARY INFORMATION AND IS THE PROPERTY OF FOX ENCLOSURES, INC. AND SHALL NOT BE TRANSMITTED OR REPRODUCED OR USED AS THE BASIS FOR MANUFACTURE OR SALE, WITHOUT PRIOR WRITTEN PERMISSION.</small>	<small>TCSL242008A0804X</small>	
<small>3RD ANGLE PROJECTION</small>			<small>DATE</small> 2014/10/29	<small>REV</small>
<small>MATL</small>			<small>SIZE</small> B	<small>DWG NO</small> 1-600-000449
			<small>SCALE</small>	<small>SHEET 1 OF 1</small>