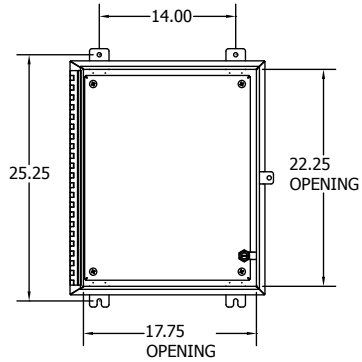
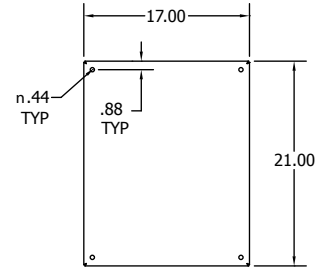


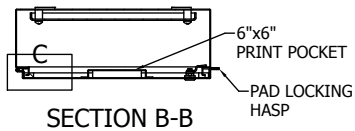
SECTION A-A



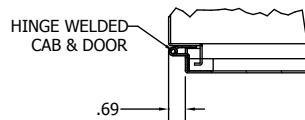
DOOR NOT SHOWN



ALUMINUM PANEL



SECTION B-B



DETAIL C

OPTIONS:

- Windows
- Drip Shields
- Floor Stands
- Painted Finishes
- Panel, Painted Steel

01	PROTOTYPE RELEASE	2014/10/28	JGAO
REV	ECN	DESCRIPTION	DATE ENGINEER
DIMENSIONS ARE IN INCHES: UNLESS OTHERWISE SPECIFIED TOLERANCES ARE: FRACTIONS DECIMALS ANGLES ± 1/16 .XXX ± 0.15 ±1-		REVISIONS	THIS DRAWING CONTAINS PROPRIETARY INFORMATION AND IS THE PROPERTY OF APX ENCLOSURES, INC. AND SHALL NOT BE TRANSMITTED OR REPRODUCED OR USED AS THE BASIS FOR MANUFACTURE OR SALE WITHOUT PRIOR WRITTEN PERMISSION.
BEND RADIUS RIP BEND REDUCTION 20.64 lbmass	DATE	2014/10/28	TCSL242006A0804X
MATL	CHECKED	DATE	SCALE
	SIZE	B	DWG. NO. 1-600-00448
	SCALE		SHEET 1 OF 1

