

4

3

2

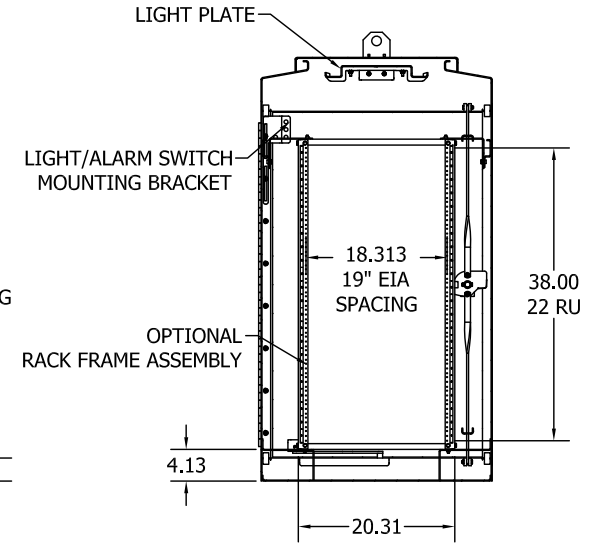
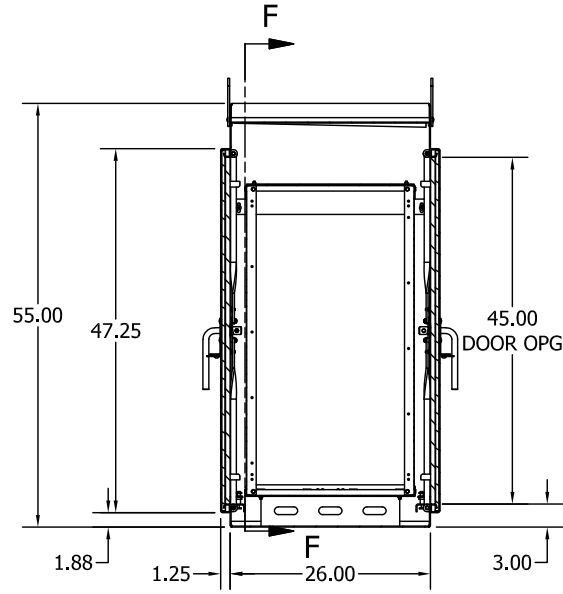
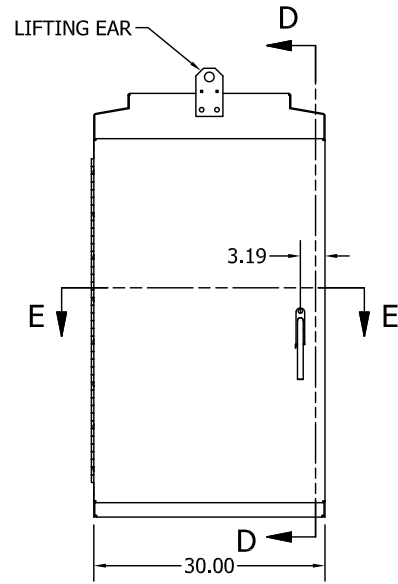
1

B

B

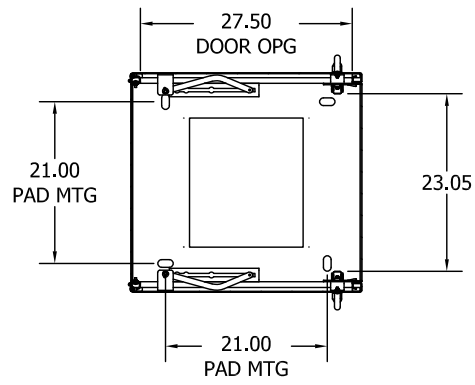
A

A



SECTION D-D

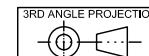
SECTION F-F



SECTION E-E

OPTIONS:

- Windows
- Switch Compartments
- Paint Finishes
- Rack Assembly
- Shelves
- Lifting Ears
- Custom Equipment Mounting
- Climate Control
 - Air Conditioner
 - Sunshields
 - Insulation
 - Heater



01	0043	PROTOTYPE RELEASE	11/3/2016	King
REV	ECN	DESCRIPTION	DATE	ENGINEER
REVISIONS				
DIMENSIONS ARE IN INCHES. UNLESS OTHERWISE SPECIFIED TOLERANCES ARE: FRACTIONS ± 1/16 DECIMALS .XXX ± 0.015 ANGLES ± 1°				
DRAWN King 11/3/2016		THIS DRAWING CONTAINS PROPRIETARY INFORMATION AND IS THE PROPERTY OF APX ENCLOSURES, INC. AND SHALL NOT BE TRANSMITTED OR REPRODUCED OR USED AS THE BASIS FOR MANUFACTURE OR SALE WITHOUT PRIOR WRITTEN PERMISSION.		
BEND RADIUS 90° BEND REDUCTION 155.53 lbmass		TCRM553026A1254X1		
MATL		SIZE B DWG. NO. 1-500-000280 SCALE:		
			REV 01	SHEET 1 OF 1

4

3

2

1