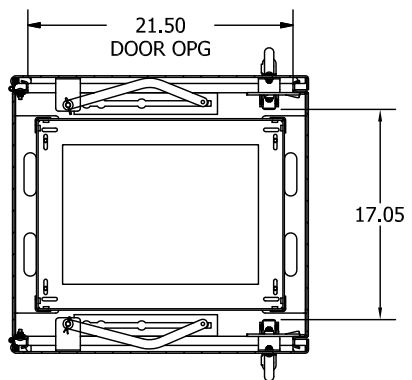
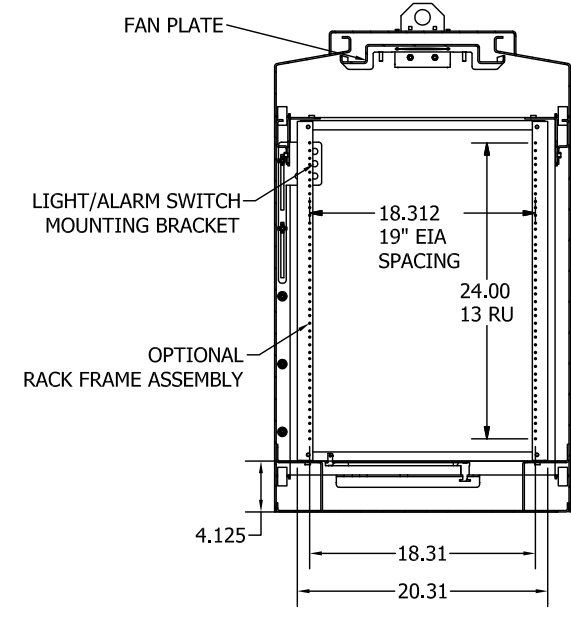
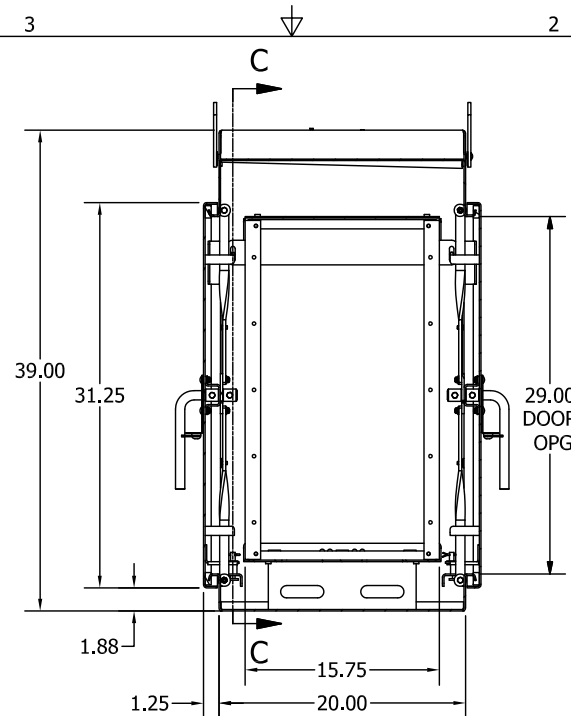
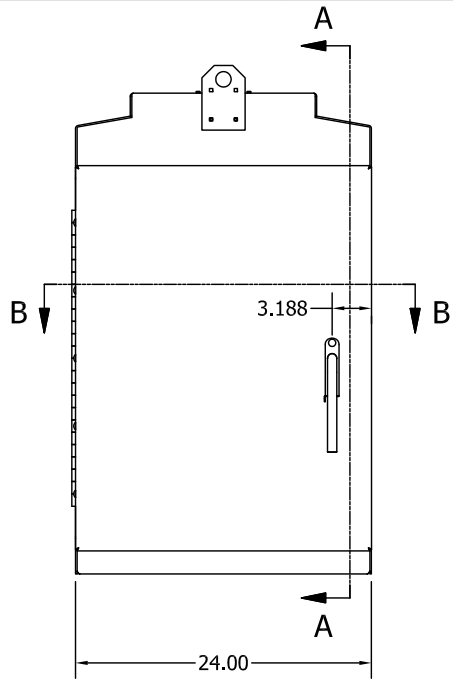


4

3

2

1



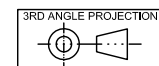
SECTION A-A


SECTION C-C

SECTION B-B

OPTIONS:

- Windows
- Switch Compartments
- Paint Finishes
- Rack Assembly
- Shelves
- Lifting Ears
- Custom Equipment Mounting
- Climate Control
 - Air Conditioner
 - Sunshields
 - Insulation
 - Heater



| | | | |
|---|-------------------|---|-----------------------|
| 01 | PROTOTYPE RELEASE | 1/19/2011 | JGAO |
| REV | ECN | DESCRIPTION | DATE ENGINEER |
| REVISIONS | | | |
| DIMENSIONS ARE IN INCHES. UNLESS OTHERWISE SPECIFIED | |  THIS DRAWING CONTAINS PROPRIETARY INFORMATION AND IS THE PROPERTY OF APX ENCLOSURES, INC. AND SHALL NOT BE TRANSMITTED OR REPRODUCED OR USED AS THE BASIS FOR MANUFACTURE OR SALE WITHOUT PRIOR WRITTEN PERMISSION. | |
| FRACTIONS | DECIMALS | | |
| ± 1/16 | .XXX ±015 | ±1° | |
| DRAWN | | DATE | 1/19/2011 |
| CHECKED | | TCRM392420A1254X2NNNNNNNNNN | |
| ENG MGR | | SIZE | DWG. NO. 1-500-000190 |
| MATERIAL | | SCALE: | REV 01 SHEET 1 OF 1 |

B

B

A

A

4

3

2

1