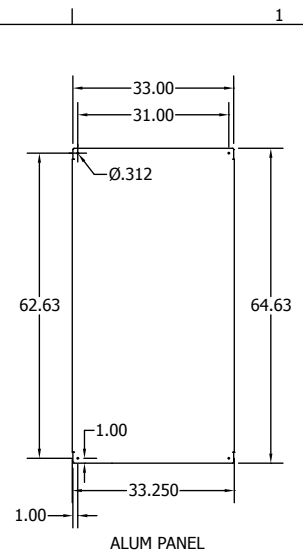


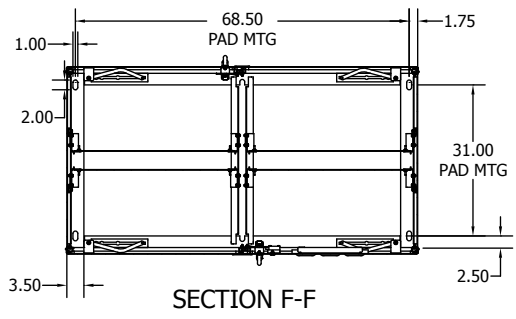
SECTION G-G

OPTIONS:

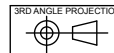
- Lock, Key, Other Than Standard
- Windows
- Switch Compartments
- Paint Finishes
- Filters
- Shelves
- Panels, center
- Custom Equipment Mounting
- Rack Frame Assembly
- Climate Control
 - Air Conditioner
 - Sunshields
 - Insulation
 - Heater
- Forced-Air Ventilation Fan



ALUM PANEL



SECTION F-F



01	0052	PROTOTYPE RELEASE		4/8/2016	
REV	ECN	DESCRIPTION		DATE	ENGINEER
REVISIONS					
DIMENSIONS ARE IN INCHES.		UNLESS OTHERWISE SPECIFIED		THIS DRAWING CONTAINS PROPRIETARY INFORMATION AND IS THE PROPERTY OF APX ENCLOSURES, INC. AND SHALL NOT BE TRANSMITTED OR REPRODUCED OR USED AS THE BASIS FOR MANUFACTURE OR SALE WITHOUT PRIOR WRITTEN PERMISSION.	
TOLERANCES ARE:		<input type="checkbox"/> FRACTIONS <input type="checkbox"/> DECIMALS <input type="checkbox"/> ANGLES ± 1/16 ± 0.015 ± 1°			
BEND RADIUS		<input type="checkbox"/> 90° BEND <input type="checkbox"/> 45° BEND 463.54 lbmass			
PART		<input type="checkbox"/> STOCK <input type="checkbox"/> CUSTOM <input type="checkbox"/> FURNISH			
TCOD727236A1253R1-CAT STD			SIZE	DWG. NO.	REV
			B	1-400-000006	01
			SCALE:	SHEET 1 OF 1	