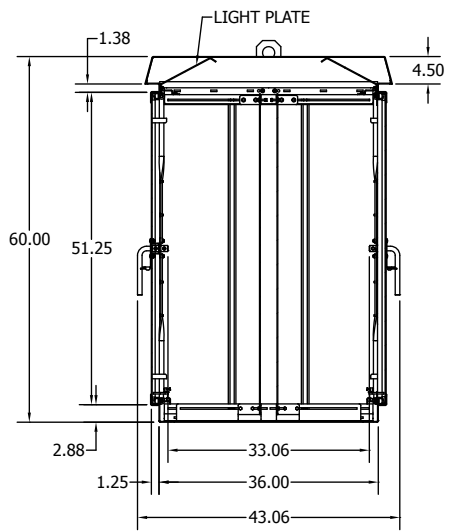
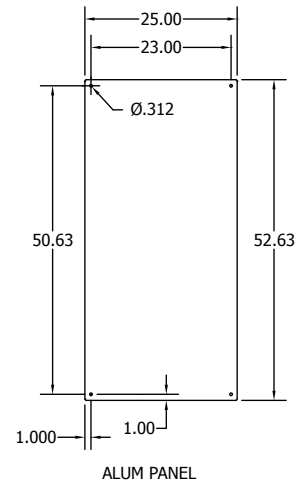


SECTION F-F



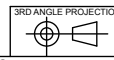
SECTION G-G



ALUM PANEL

OPTIONS:

- Windows
- Switch Compartments
- Paint Finishes
- Shelves
- Panels, center
- Custom Equipment Mounting
- Rack Frame Assembly
- Climate Control
 - Air Conditioner
 - Sunshields
 - Insulation
 - Heater



01	0052	PROTOTYPE RELEASE	4/3/2014	
REV	EQ	DESCRIPTION	DATE	ENGINEER
REVISIONS				
DIMENSIONS ARE IN INCHES.		THIS DRAWING CONTAINS PROPRIETARY INFORMATION AND IS THE PROPERTY OF APX ENCLOSURES, INC. AND SHALL NOT BE TRANSMITTED OR REPRODUCED OR USED AS THE BASIS FOR MANUFACTURE OR SALE WITHOUT PRIOR WRITTEN PERMISSION.		
UNLESS OTHERWISE SPECIFIED				
TOLERANCES ARE:				
FRACTIONS	DIGITALS			
± 1/16	XXX ±.015	±1°		
BEND RADIUS		DRAWN	CHECKED	4/3/2014
80° BEND REDUCTION		SIZE	PREPARED	
329.86 lbmass		TCOD605636A1254X1-CAT STD		
MATERIAL		SCALE	DWG NO.	REV
			1-400-000059	01
				SHEET 1 OF 1