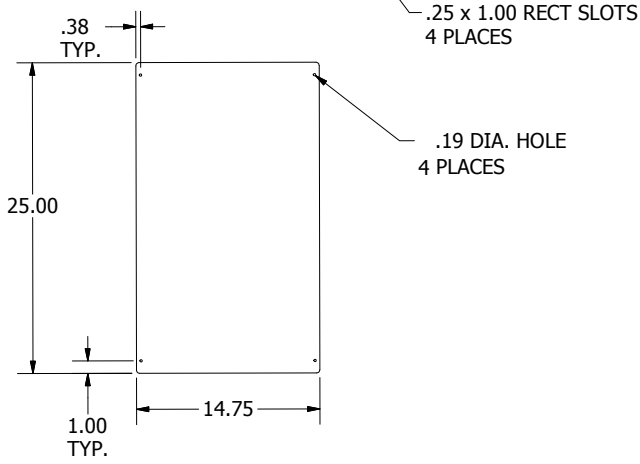


SECTION B-B

SECTION A-A

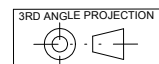


OPTIONS:

- Windows
- Painted Finishes
- Shelves
- Padlock Hasp is Included

NOTES

- Enclosures are Pole and Wall Mountable
- Adjustable Equipment Mounting Channels on Sides
- Back Panel is Included



01	0001	PROTOTYPE RELEASE		7/1/2016	JGAO
REV	ECN	DESCRIPTION		DATE	ENGINEER
REVISIONS					
DRAWN		JGAO	7/1/2016	TCSM261715A1254X2NQ01RNA04S00SA-CAT	
CHECKED				STD-NAT	
ENG				SIZE DWG. NO. 1-000-000039	
ENG MGR				REV 01	
MATL				SCALE: .500 SHEET 1 OF 2	