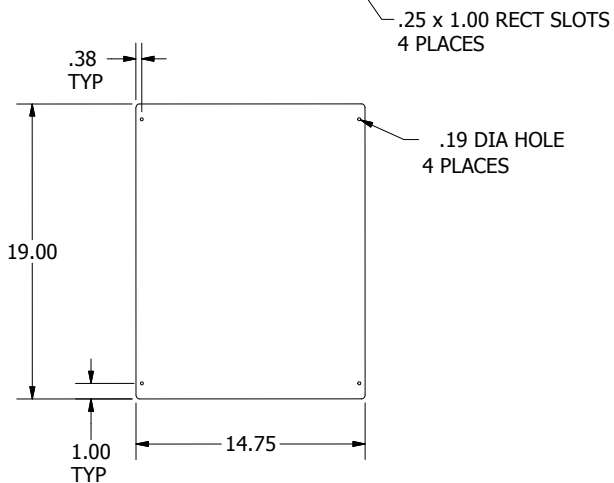


SECTION B-B

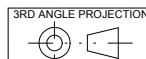


OPTIONS:

- Windows
- Painted Finishes
- Shelves
- Padlock Hasp is Included

NOTES

- Enclosures are Pole and Wall Mountable
- Adjustable Equipment Mounting Channels on Sides
- Back Panel is Included



01	0001	PROTOTYPE RELEASE	5/18/2017	DCM
REV	ECN	DESCRIPTION	DATE	ENGINEER
REVISIONS				
DIMENSIONS ARE IN INCHES. UNLESS OTHERWISE SPECIFIED			THIS DRAWING CONTAINS PROPRIETARY INFORMATION AND IS THE PROPERTY OF ABX ENCLOSURES, INC. AND SHALL NOT BE TRANSMITTED OR REPRODUCED OR USED AS THE BASIS FOR MANUFACTURE OR SALE WITHOUT PRIOR WRITTEN PERMISSION.	
FRACTIONS	DECIMALS		ANGLES	DRAWN
± 1/16	XXX ± 0.015	± 1	DCM	5/18/2017
90° BEND DEDUCTION		DISCRED	TCSM201715A1254X2-QT-HASP-RH HINGE	
34.65 lbmass		ENG MGR	SIZE	DWG. NO.
MATL			B	1-000-000131
			SCALE:	REV
			1:8	01
				SHEET 1 OF 1