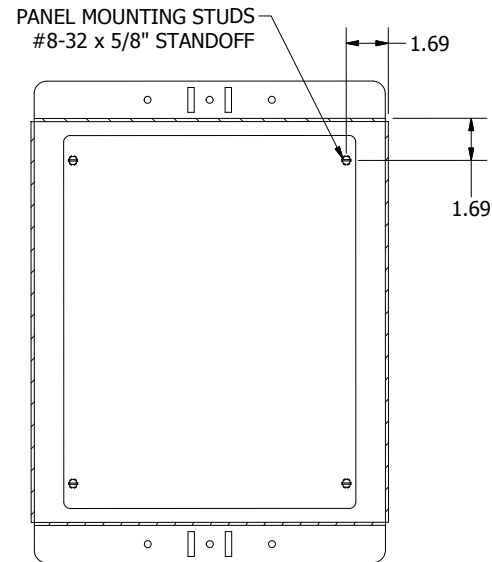
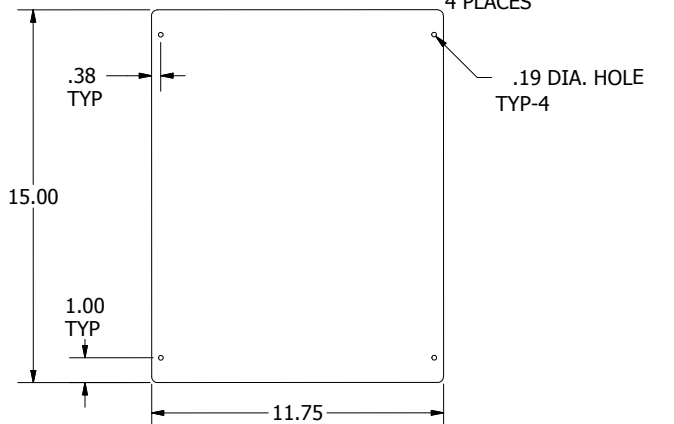


SECTION A-A



SECTION B-B

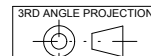


OPTIONS:

- Windows
- Painted Finishes
- Padlock Hasp is Included

NOTES

- Enclosures are Pole and Wall Mountable
- Back Panel is Included



01	0001	PROTOTYPE RELEASE	3/27/2017	King
REV	ECN	DESCRIPTION	DATE	ENGINEER
REVISIONS				
DIMENSIONS ARE IN INCHES. UNLESS OTHERWISE SPECIFIED TOLERANCES ARE: FRACTIONS ± 1/16 DECIMALS .XXX ± 0.015 ANGLES ± 1°				
		THIS DRAWING CONTAINS PROPRIETARY INFORMATION AND IS THE PROPERTY OF APX ENCLOSURES, INC. AND SHALL NOT BE TRANSMITTED OR REPRODUCED OR USED AS THE BASIS FOR MANUFACTURE OR SALE WITHOUT PRIOR WRITTEN PERMISSION.		
		TCSM161412A1254X2		
BEND RADIUS 90° BEND DEDUCTION N/A MATL		DRAWN King CHECKED King ENG ENG MGR	3/27/2017	
SIZE B	DWG. NO. 1-050-000140	REV 01		
SCALE .25	SHEET 1 OF 1			