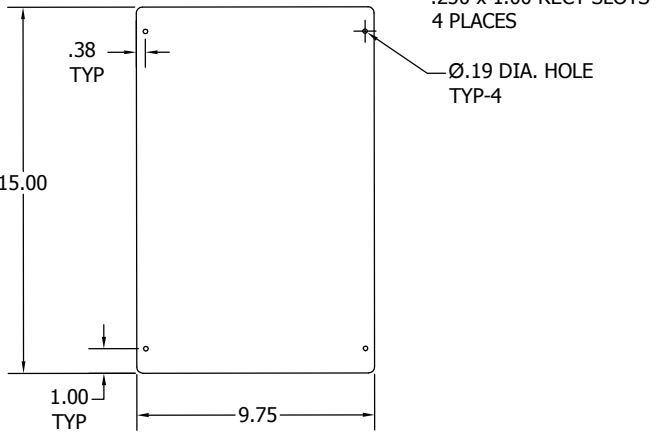


SECTION A-A

SECTION B-B

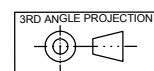


OPTIONS:

- Windows
- Painted Finishes
- Padlock hasp is included

NOTES

- Enclosures are Pole and Wall Mountable
- Back Panel is Included



01	0001	PROTOTYPE RELEASE	3/27/2017	King
REV	ECN	DESCRIPTION	DATE	ENGINEER
REVISIONS				
DIMENSIONS ARE IN INCHES. UNLESS OTHERWISE SPECIFIED TOLERANCES ARE: FRACTIONS ± 1/16 DECIMALS .XXX ± 0.15 ANGLES ± 1'		APX ENCLOSURES, INC.	THIS DRAWING CONTAINS PROPRIETARY INFORMATION AND IS THE PROPERTY OF APX ENCLOSURES, INC. AND SHALL NOT BE TRANSMITTED OR REPRODUCED OR USED AS THE BASIS FOR MANUFACTURE OR SALE WITHOUT PRIOR WRITTEN PERMISSION.	
DRAWN	King		3/27/2017	
CHECKED			TCSM161208A1254X2	
ENG			SIZE B	DWG. NO. 1-000-000232
ENG MGR			SCALE: 25	REV 01
MATERIAL			SHEET 1 OF 1	