

SECTION A-A

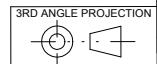
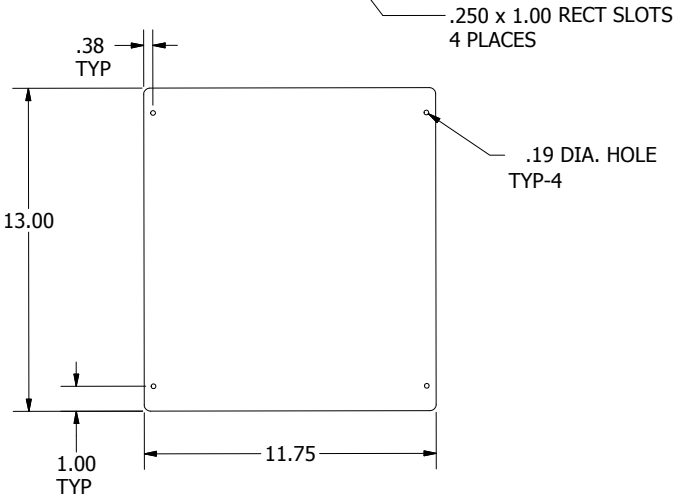
SECTION B-B

OPTIONS:

- Windows
- Painted Finishes
- Padlock Hasp is Included

NOTES

- Enclosures are Pole and Wall Mountable
- Back Panel is Included



01	0001	PROTOTYPE RELEASE	3/27/2017	King
REV	ECN	DESCRIPTION	DATE	ENGINEER
REVISIONS				
DIMENSIONS ARE IN INCHES. UNLESS OTHERWISE SPECIFIED TOLERANCES ARE:		<b>APX</b> APX Enclosures, Inc.	THIS DRAWING CONTAINS PROPRIETARY INFORMATION AND IS THE PROPERTY OF APX ENCLOSURES, INC. AND SHALL NOT BE TRANSMITTED OR REPRODUCED OR USED AS THE BASIS FOR MANUFACTURE OR SALE WITHOUT PRIOR WRITTEN PERMISSION.	
FRACTIONS	DECIMALS		ANGLES	
± 1/16	XXX ± 0.015	± 1	DRAWN King	3/27/2017
90° BEND RADIUS		ENG	CHECKED	
N/A		ENG MGR		
MATL		TCSM141407A1254X2		
SIZE	DWG. NO.	1-000-000179		REV 01
SCALE:	.25	SHEET 1 OF 1		