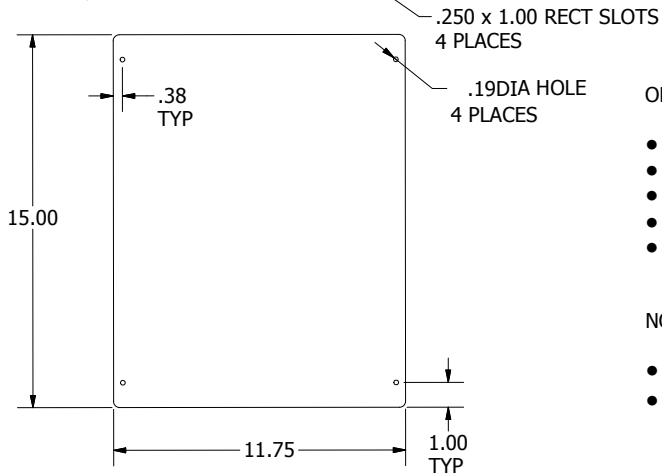


SECTION A-A

SECTION B-B

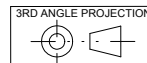


OPTIONS:

- Screened Louvered Vents
- Windows
- Painted Finishes
- Padlock Hasp
- Cabinet Lock with Keys

NOTES

- Enclosures are Pole and Wall Mountable
- Back Panel is Included



01	0001	PROTOTYPE RELEASE	3/22/2017	King
REV	ECN	DESCRIPTION	DATE	ENGINEER
REVISIONS				
DIMENSIONS ARE IN INCHES. UNLESS OTHERWISE SPECIFIED				
TOLERANCES ARE:				
FRACTIONS	DECIMALS	ANGLES	THIS DRAWING CONTAINS PROPRIETARY INFORMATION AND IS THE PROPERTY OF APX ENCLOSURES, INC. AND SHALL NOT BE TRANSMITTED OR REPRODUCED OR USED AS THE BASIS FOR MANUFACTURE OR SALE WITHOUT PRIOR WRITTEN PERMISSION.	
± 1/16	.XXX ± 0.015	± 1	DRAWN	King
90° BEND DEDUCTION		ENG	3/22/2017	TCSM1614A1253R2-CAT STD
N/A		ENG MGR		
SCALE: 1:5		SIZE B DWG. NO. 1-000-000094		REV 01
				SHEET 1 OF 1