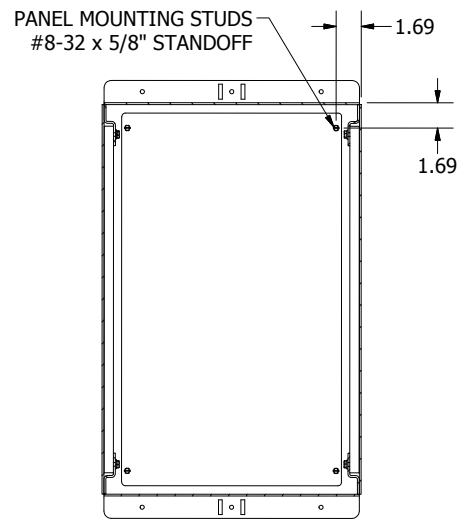
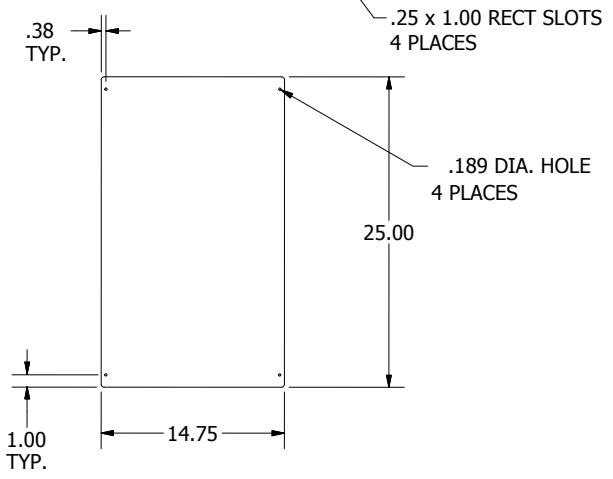


SECTION A-A



SECTION B-B  
SCALE .12

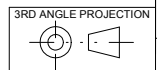


OPTIONS:

- Screened Louvered Vents
- Windows
- Painted Finishes
- Shelves
- Padlock Hasp
- Cabinet Lock with Keys

NOTES

- Enclosures are Pole and Wall Mountable
- Adjustable Equipment Mounting Channels on Sides
- Back Panel is Included



01	0001	PROTOTYPE RELEASE		2/2/2017	DCM
REV	ECN	DESCRIPTION		DATE	ENGINEER
REVISIONS					
DIMENSIONS ARE IN INCHES.					
UNLESS OTHERWISE SPECIFIED					
TOLERANCES ARE:					
FRACTIONS	DECIMALS	ANGLES			
± 1/16	.XXX ± 0.15	± 1°			
DRAWN	DCM	2/2/2017	TCSM261715A1253R2NC04RNA04S00SA-CAT		
CHECKED			STD-NAT		
ENG			SIZE	DWG. NO.	REV
ENG MGR			B	1-000-000028	01
MATL			SCALE:	.25	SHEET 1 OF 2