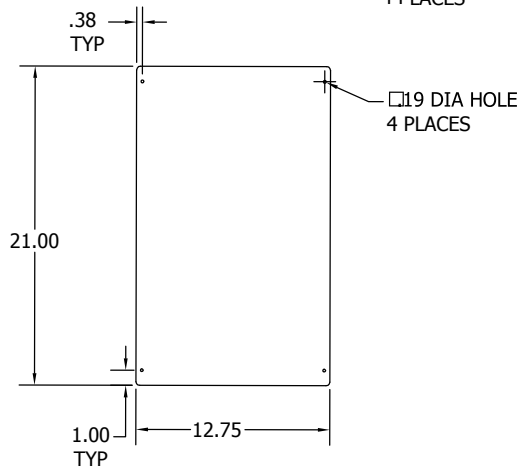


SECTION B-B

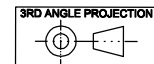


OPTIONS:

- Screened Louvered Vents
- Windows
- Painted Finishes
- Padlock Hasp
- Cabinet Lock with Keys

NOTES

- Enclosures are Pole and Wall Mountable
- Back Panel is Included



01	0001	PROTOTYPE RELEASE	5/18/2017	DCM
REV	ECN	DESCRIPTION	DATE	ENGINEER
REVISIONS				
DIMENSIONS ARE IN INCHES. UNLESS OTHERWISE SPECIFIED TOLERANCES ARE:		THIS DRAWING CONTAINS PROPRIETARY INFORMATION AND IS THE PROPERTY OF APX ENCLOSURES, INC. AND SHALL NOT BE TRANSMITTED OR REPRODUCED OR USED AS THE BASIS FOR MANUFACTURE OR SALE WITHOUT PRIOR WRITTEN PERMISSION.		
FRACTIONS ± 1/16	DECIMALS XXX ±.015	ANGLES XXX ±1°	DRAWN DCM	5/18/2017
BEND RADIUS		TCSM21507A1253R2-POLICE LOCK-RH HINGE		
60° BEND REDUCTION		SIZE B		
32.96 lbmass		DWG. NO. 1-000-000010		
MATERIAL		SCALE: 1:8		
				REV 01
				SHEET 1 OF 1