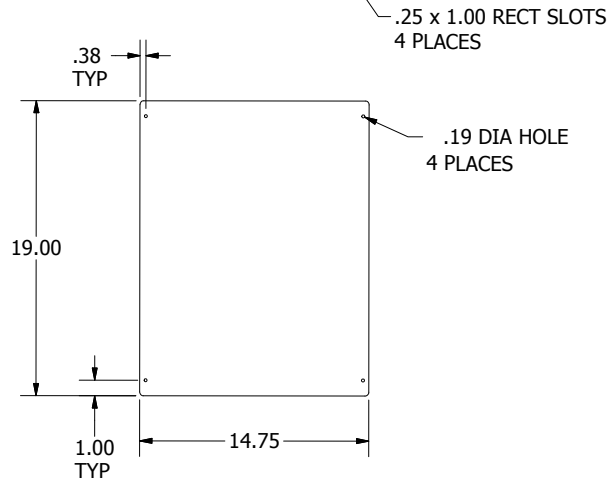


SECTION B-B

SECTION A-A

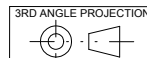


OPTIONS:

- Screened Louvered Vents
- Windows
- Painted Finishes
- Shelves
- Padlock Hasp
- Cabinet Lock with Keys

NOTES

- Enclosures are Pole and Wall Mountable
- Adjustable Equipment Mounting Channels on Sides
- Back Panel is Included



01	0001	PROTOTYPE RELEASE	5/18/2017	DCM
REV	ECN	DESCRIPTION	DATE	ENGINEER
REVISIONS				
DIMENSIONS ARE IN INCHES. UNLESS OTHERWISE SPECIFIED TOLERANCES ARE:		<b>APX</b> APX Enclosures, Inc.	THIS DRAWING CONTAINS PROPRIETARY INFORMATION AND IS THE PROPERTY OF APX ENCLOSURES, INC. AND SHALL NOT BE TRANSMITTED OR REPRODUCED OR USED AS THE BASIS FOR MANUFACTURE OR SALE WITHOUT PRIOR WRITTEN PERMISSION.	
FRACTIONS	DECIMALS			
± 1/16	.XXX ±.015	±1	DRAWN	DCM
90° BEND RADIUS		CHECKED	5/18/2017	TCSM201715A1253R2-POLICE LOCK-RH HINGE
32.96 lbmass		ENG		SIZE
MATL		ENG MGR		B
				DWG. NO. 1-000-000019
				REV 01
				SCALE: 1:8
				SHEET 1 OF 1