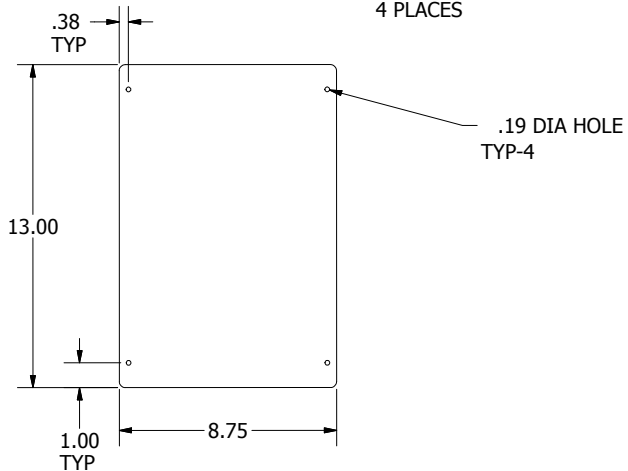


SECTION B-B

SECTION A-A

.250 x 1.00 RECT SLOTS
4 PLACES

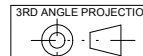


OPTIONS:

- Windows
- Painted Finishes
- Padlock Hasp is Included

NOTES

- Enclosures are Pole and Wall Mountable
- Back Panel is Included



01	0001	PROTOTYPE RELEASE	3/26/2017	King
REV	ECN	DESCRIPTION	DATE	ENGINEER
REVISIONS				
DIMENSIONS ARE IN INCHES. UNLESS OTHERWISE SPECIFIED TOLERANCES ARE: FRACTIONS ± 1/16 DECIMALS .XXX ± 0.015 ANGLES ± 1				
BEND RADIUS _____ 90° BEND DEDUCTION _____ N/A MATL _____				
DRAWN King 3/26/2017 CHECKED _____ ENG MGR _____			THIS DRAWING CONTAINS PROPRIETARY INFORMATION AND IS THE PROPERTY OF APX ENCLOSURES, INC. AND SHALL NOT BE TRANSMITTED OR REPRODUCED OR USED AS THE BASIS FOR MANUFACTURE OR SALE WITHOUT PRIOR WRITTEN PERMISSION. TCSM141111A1254X2	
SCALE: .25			SIZE B	DWG. NO. 1-000-000123
			REV 01	SHEET 1 OF 1