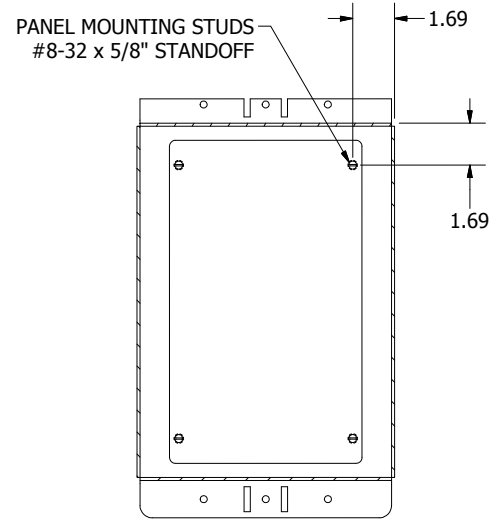


SECTION A-A



SECTION B-B

OPTIONS:

- Screened Louvered Vents
- Windows
- Painted Finishes
- Padlock Hasp
- Cabinet Lock with Keys

NOTES

- Enclosures are Pole and Wall Mountable
- Back Panel is Included

01	0001	PROTOTYPE RELEASE	2/2/2017	DCM
REV	ECN	DESCRIPTION	DATE	ENGINEER
REVISIONS				
DIMENSIONS ARE IN INCHES. UNLESS OTHERWISE SPECIFIED TOLERANCES ARE: FRACTIONS .XXX ± .015 ANGLES ± 1 DECIMALS .XX ± .015 ANGLES ± 1				
DRAWN: DCM CHECKED: DCM ENG: MGR ENG MGR:		THIS DRAWING CONTAINS PROPRIETARY INFORMATION AND IS THE PROPERTY OF APX ENCLOSURES, INC. AND SHALL NOT BE TRANSMITTED OR REPRODUCED OR USED AS THE BASIS FOR MANUFACTURE OR SALE WITHOUT PRIOR WRITTEN PERMISSION.		
BEND RADIUS 90° BEND DEDUCTION 7.22 lbmass MATL:		TCSM141007A1253R2NC04RN000000SA-CAT STD		
SIZE B	DWG. NO. 1-000-000001	REV 01	SHEET 1 OF 2	
SCALE: 250				

