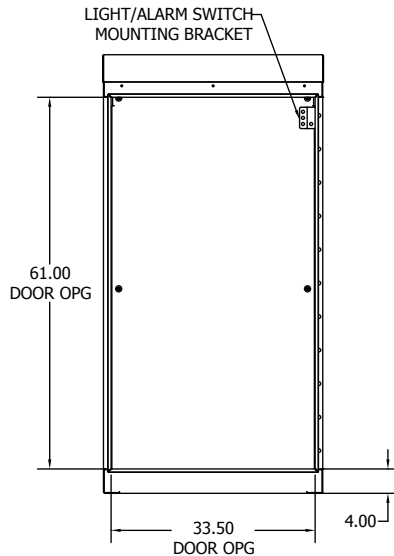
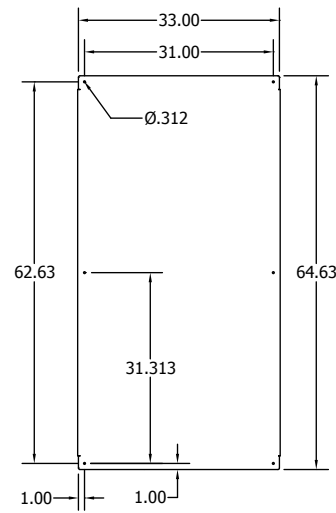


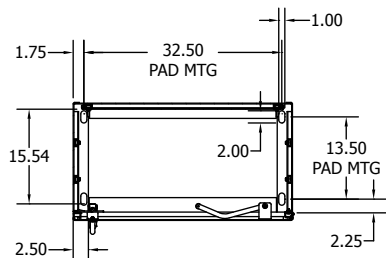
SECTION F-F



DOOR OPG



AL BACK PANEL



SECTION E-E

OPTIONS:

- Panels
- Windows
- Switch Compartments
- Paint Finishes
- Rack Rails
- Shelves
- Panels, center
- Custom Equipment Mounting
- Pedestal Adaptor (reinforced bottom)
- Swing Rack
- Climate Control
 - Air Conditioner
 - Sunshields
 - Insulation
 - Heater

| | | | |
|--|----------|---|----------------------|
| 01 | 0032 | PROTOTYPE RELEASE | 6/5/2015 |
| REV | ECH | DESCRIPTION | DATE |
| REVISIONS | | | ENGINEER |
| DIMENSIONS ARE IN INCHES. | | THIS DRAWING CONTAINS PROPRIETARY INFORMATION AND IS THE PROPERTY OF APX ENCLOSURES, INC. AND SHALL NOT BE TRANSMITTED OR REPRODUCED OR USED AS THE BASIS FOR MANUFACTURE OR SALE WITHOUT PRIOR WRITTEN PERMISSION. | |
| UNLESS OTHERWISE SPECIFIED TOLERANCES ARE: | | TCL5723618A1254X1-CAT STD | |
| FRACTIONS | DECIMALS | ANGLES | 3RD ANGLE PROJECTION |
| 2 1/16 | .XXX | 4 015 | 3RD ANGLE PROJECTION |
| BEND RADIUS | | APPROX | AS SHOWN |
| 90° BEND REDUCTION | | PROJ | |
| 211.01 lbmass | | END MGR | |
| MATERIAL | | SCALE | DWG NO. 1-100-001207 |
| | | | REV 01 |
| | | | SHEET 1 OF 1 |