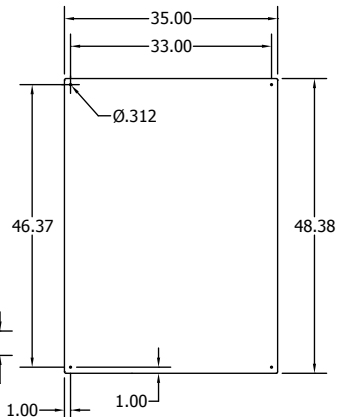
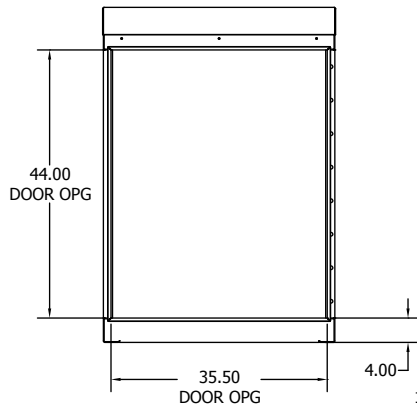
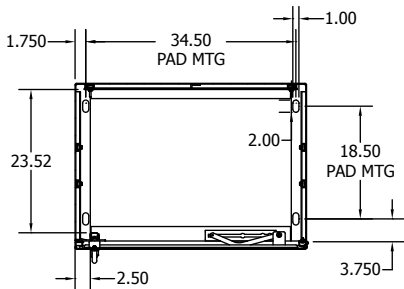


SECTION D-D



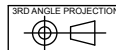
AL BACK PANEL



SECTION C-C

**OPTIONS:**

- Panels
- Windows
- Switch Compartments
- Paint Finishes
- Rack Rails
- Shelves
- Panels, center
- Custom Equipment Mounting
- Pedestal Adaptor (reinforced bottom)
- Swing Rack
- Climate Control
  - Air Conditioner
  - Sunshields
  - Insulation
  - Heater



01	0032	PROTOTYPE RELEASE	1/13/2014
REV	ECH	DESCRIPTION	DATE
		REVISIONS	ENGINEER
DIMENSIONS ARE IN INCHES.		THIS DRAWING CONTAINS PROPRIETARY INFORMATION AND IS THE PROPERTY OF APX ENCLOSURES, INC. AND SHALL NOT BE TRANSMITTED OR REPRODUCED OR USED AS THE BASIS FOR MANUFACTURE OR SALE WITHOUT PRIOR WRITTEN PERMISSION.	TCL553826A1254X1-CAT STD
UNLESS OTHERWISE SPECIFIED			
TOLERANCES ARE:		DESIGN	DATE
FRACCTIONS	DECIMALS	ANGLES	REV
± 1/16	.XXX ± 0.015	± 1°	PROJ
BEND RADIUS		ISSUED	SCALE
20 BEND REDUCTION		CHECKED	SIZE
142.71 lbmss		ENG	B
MATERIAL		PREPARED	DWG. NO. 1-100-001056
		SCALE	REV 01
			SHEET 1 OF 1