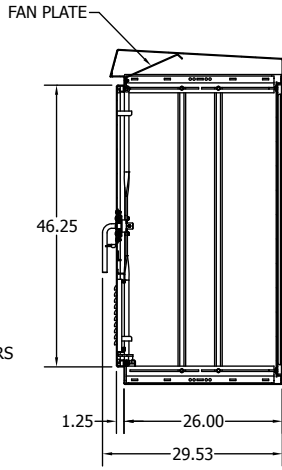
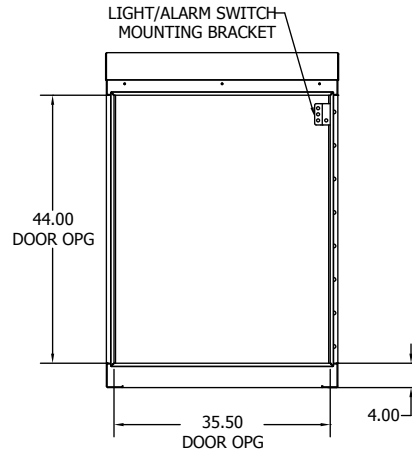


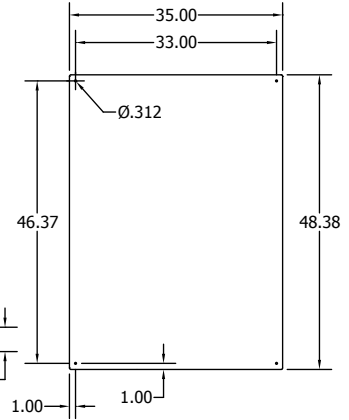
SECTION C-C



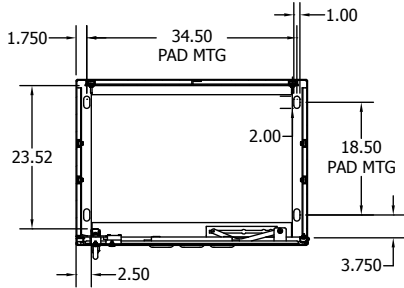
SECTION D-D



DOOR OPG



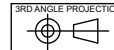
AL BACK PANEL



SECTION C-C

**OPTIONS:**

- Panels
- Lock, Keying, Other Than Standard
- Windows
- Switch Compartments
- Paint Finishes
- Filters
- Rack Rails
- Shelves
- Panels, center
- Custom Equipment Mounting
- Pedestal Adaptor (reinforced bottom)
- Swing Rack
- Climate Control
  - Air Conditioner
  - Sunshields
  - Insulation
  - Heater
- Forced-Air Ventilation Fan



01	0032	PROTOTYPE RELEASE	1/13/2014
REV	ECN	DESCRIPTION	DATE
			ENGINEER
REVISIONS			
DIMENSIONS ARE IN INCHES UNLESS OTHERWISE SPECIFIED		THIS DRAWING CONTAINS PROPRIETARY INFORMATION AND IS THE PROPERTY OF APX ENCLOSURES, INC. AND SHALL NOT BE TRANSMITTED OR REPRODUCED OR USED AS THE BASIS FOR MANUFACTURE OR SALE WITHOUT PRIOR WRITTEN PERMISSION.	
TOLERANCES ARE: FRACTIONS DECIMALS ANGLES ± 1/16 .XXX ±.015 ±1-			
BEND RADIUS		CHECKED	TJ/BGL
90° BEND REDUCTION		PREP	
143.66 lbmass		PROJ	
MATERIAL		TCL553826A1263R1-CAT STD	
		SIZE	REV
		B	1-100-000418
		SCALE	SHEET 1 OF 1