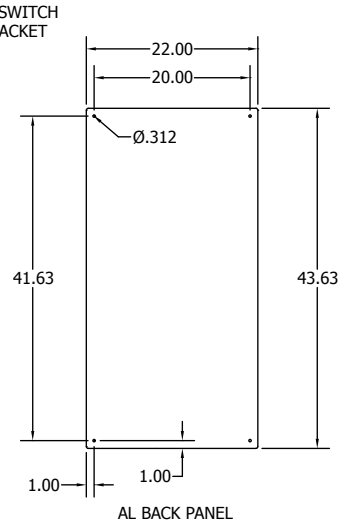
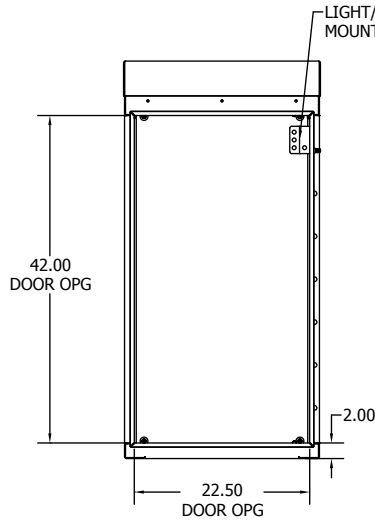
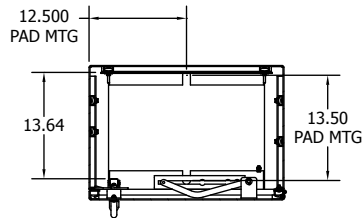


SECTION F-F



AL BACK PANEL



SECTION E-E

OPTIONS:

- Panels
- Windows
- Switch Compartments
- Paint Finishes
- Rack Rails
- Shelves
- Panels, center
- Custom Equipment Mounting
- Pedestal Adaptor (reinforced bottom)
- Swing Rack
- Climate Control
 - Air Conditioner
 - Sunshields
 - Insulation
 - Heater

01	0032	PROTOTYPE RELEASE		7/15/2015
REV	ECN	DESCRIPTION	DATE	ENGINEER
REVISIONS				
DIMENSIONS ARE IN INCHES UNLESS OTHERWISE SPECIFIED		THIS DRAWING CONTAINS PROPRIETARY INFORMATION AND IS THE PROPERTY OF AMX ENCLOSURES, INC. AND SHALL NOT BE TRANSMITTED OR REPRODUCED OR USED AS THE BASIS FOR MANUFACTURE OR SALE WITHOUT PRIOR WRITTEN PERMISSION.		
TOLERANCES ARE:				
FRACTIONS	DECIMALS	ANGLES		
± 1/16	.XXX ± 0.015	± 1°		
BEND RADIUS		DRIVEN	TCL5512516A1254X1-CAT STD	
Ø7 BEND REDUCTION		PROF		
96.70 lbmass		PRO NEUR		
MATERIAL				
3RD ANGLE PROJECTION		SIZE	REV	
		B	1-100-000750	
		SCALE:	SHEET 1 OF 1	