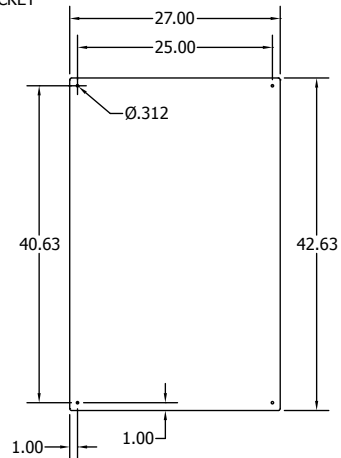
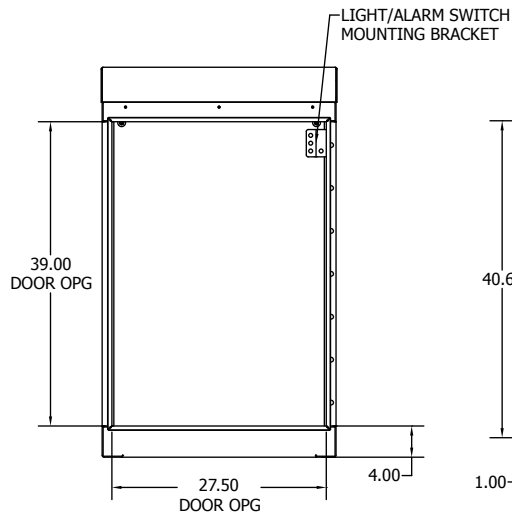


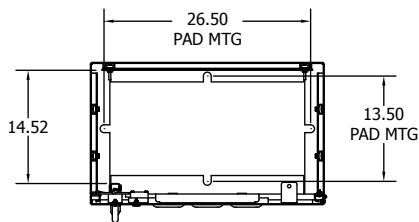
SECTION F-F



AL BACK PANEL

OPTIONS:

- Panels
- Lock, Keying, Other Than Standard
- Windows
- Switch Compartments
- Paint Finishes
- Filters
- Rack Rails
- Shelves
- Panels, center
- Custom Equipment Mounting
- Pedestal Adaptor (reinforced bottom)
- Swing Rack
- Climate Control
 - Air Conditioner
 - Sunshields
 - Insulation
 - Heater
 - Forced-Air Ventilation Fan



SECTION E-E

01	0032	PROTOTYPE RELEASE	10/13/2015
REV	ECN	DESCRIPTION	DATE ENGINEER
REVISIONS			
DIMENSIONS ARE IN INCHES.		THIS DRAWING CONTAINS PROPRIETARY INFORMATION AND IS THE PROPERTY OF APX ENCLOSURES, INC. AND SHALL NOT BE TRANSMITTED OR REPRODUCED OR USED AS THE BASIS FOR MANUFACTURE OR SALE WITHOUT PRIOR WRITTEN PERMISSION.	
UNLESS OTHERWISE SPECIFIED TOLERANCES ARE:			
FRACTIONS	DECIMALS ANGLES		
3/16	.XXX & .015		
3RD ANGLE PROJECTION		CHECKED: <input type="checkbox"/> ENG: <input type="checkbox"/> END MGR: <input type="checkbox"/>	TCSL503017A12S3R1-CAT5D SCALE: <input type="checkbox"/>
90° BEND REDUCTION		SIZE	DWG NO. 1-100-000549
108.72 lbmass		SCALE	REV 01
DATE:		SHEET 1 OF 1	