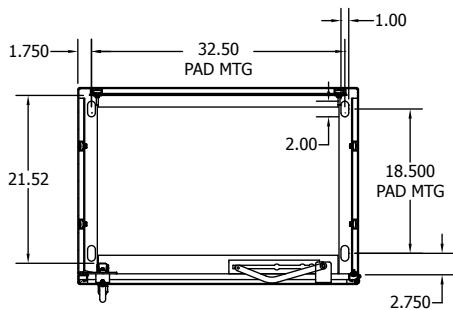


SECTION D-D



SECTION C-C

**OPTIONS:**

- Panels
- Windows
- Switch Compartments
- Paint Finishes
- Rack Rails
- Shelves
- Panels, center
- Custom Equipment Mounting
- Pedestal Adaptor (reinforced bottom)
- Swing Rack
- Climate Control
  - Air Conditioner
  - Sunshields
  - Insulation
  - Heater

01	0032	PROTOTYPE RELEASE	8/14/2014									
REV	ECN	DESCRIPTION	DATE									
			ENGINEER									
REVISIONS												
DIMENSIONS ARE IN INCHES. UNLESS OTHERWISE SPECIFIED TOLERANCES ARE: FRACTIONS DECIMALS ANGLES ± 1/16 ±.004 ±.015 ±°		THIS DRAWING CONTAINS PROPRIETARY INFORMATION AND IS THE PROPERTY OF APX ENCLOSURES, INC. AND SHALL NOT BE TRANSMITTED OR REPRODUCED OR USED AS THE BASIS FOR MANUFACTURE OR SALE WITHOUT PRIOR WRITTEN PERMISSION.										
BEND RADIUS 90° BEND REDUCTION 105.29 lbmass		<table border="1"> <tr> <td>DRAWN</td> <td>ALAGULL</td> </tr> <tr> <td>CHECKED</td> <td></td> </tr> <tr> <td>ENG</td> <td></td> </tr> <tr> <td>END MGR</td> <td></td> </tr> </table>	DRAWN	ALAGULL	CHECKED		ENG		END MGR		TCL53624A1254X1-CAT STD	
DRAWN	ALAGULL											
CHECKED												
ENG												
END MGR												
DATE		SIZE	REV									
		B	01									
		SCALE	SHEET 1 OF 1									
		DWG NO.	1-100-000505									

