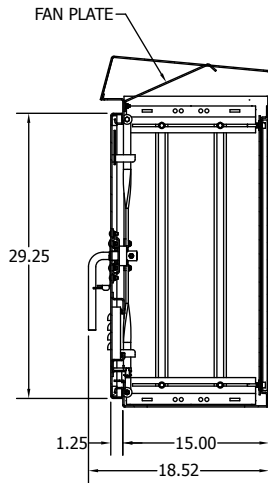
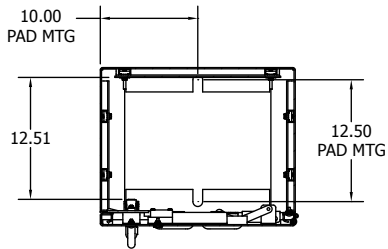
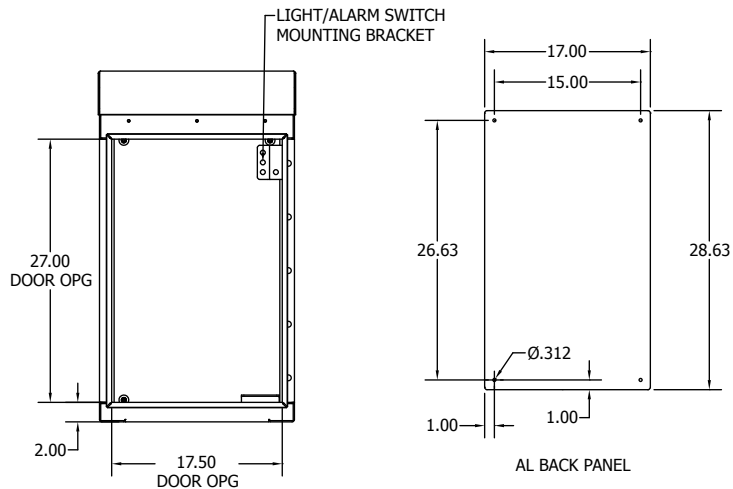


SECTION C-C



SECTION D-D



AL BACK PANEL

OPTIONS:

- Panels
- Lock, Keying, Other Than Standard
- Windows
- Switch Compartments
- Paint Finishes
- Filters
- Rack Rails
- Shelves
- Panels, center
- Custom Equipment Mounting
- Pedestal Adaptor (reinforced bottom)
- Swing Rack
- Climate Control
 - Air Conditioner
 - Sunshields
 - Insulation
 - Heater
 - Forced-Air Ventilation Fan

| | | | |
|--|---------------|---|------------|
| 01 | 0032 | PROTOTYPE RELEASE | 11/25/2015 |
| REV | ECH | DESCRIPTION | DATE |
| REVISIONS | | | |
| DIMENSIONS ARE IN INCHES. | | THIS DRAWING CONTAINS PROPRIETARY INFORMATION AND IS THE PROPERTY OF APX ENCLOSURES, INC. AND SHALL NOT BE TRANSMITTED OR REPRODUCED OR USED AS THE BASIS FOR MANUFACTURE OR SALE WITHOUT PRIOR WRITTEN PERMISSION. | |
| UNLESS OTHERWISE SPECIFIED TOLERANCES ARE: | | DRAWN | |
| FRACTIONS | DECIMALS | ANGLES | CHECKED |
| ± .1125 | ± .004 ± .015 | ± ° | 11/25/2015 |
| 80° BEND DEDUCTION | | TCL5362015A1253R1-CAT STD | |
| 66.71 lbmass | | DWG NO. 1-100-000680 | |
| DATE | | SCALE | |
| 3RD ANGLE PROJECTION | | SHEET 1 OF 1 | |