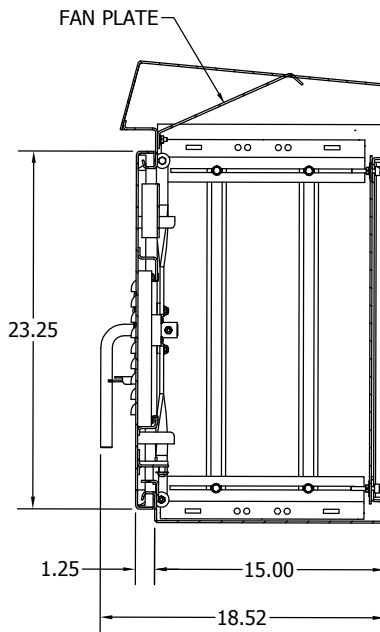
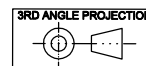
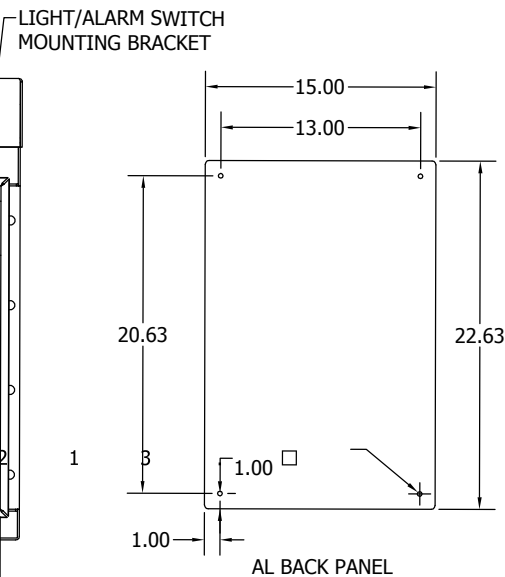
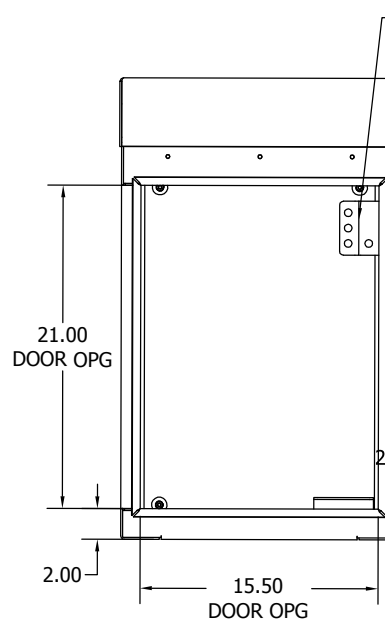


SECTION D-D



OPTIONS: SECTION C-C

- Panels
- Lock, Keying, Other Than Standard
- Windows
- Switch Compartments
- Paint Finishes
- Filters
- Rack Rails
- Shelves
- Panels, center
- Custom Equipment Mounting
- Pedestal Adaptor (reinforced bottom)
- Swing Rack
- Climate Control
 - Air Conditioner
 - Sunshields
 - Insulation
 - Heater
 - Forced-Air Ventilation Fan



01	0032	PROTOTYPE RELEASE	7/17/2015	
REV	ECN	DESCRIPTION	DATE	ENGINEER
REVISIONS				
DIMENSIONS ARE IN INCHES. UNLESS OTHERWISE SPECIFIED TOLERANCES ARE: FRACTIONS DECIMALS ANGLES ± 1/16 ±.000 ±.015 ±1°			DRAWN 7/17/2015	THIS DRAWING CONTAINS PROPRIETARY INFORMATION AND IS THE PROPERTY OF APX ENCLCSURES, INC. AND SHALL NOT BE TRANSMITTED OR REPRODUCED OR USED AS THE BASIS FOR MANUFACTURE OR SALE WITHOUT PRIOR WRITTEN PERMISSION. TCLS301815A1253R1-CAT STD
BEND RADIUS 80° BEND DEDUCTION 55.48 lbmass			CHECKED ENG	
MATL			ENG MGR	
SIZE B	DWG. NO. 1-100-001090	REV 01	SCALE: 1	