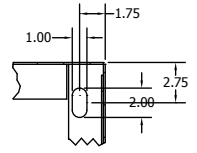
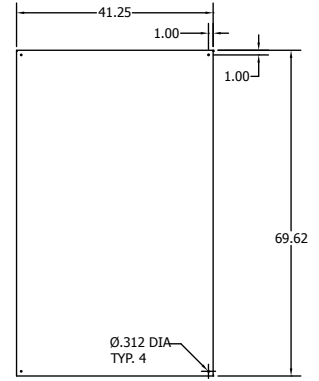


SECTION A-A



DETAIL C

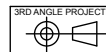


ALUMINUM CENTER PANEL

**OPTIONS:**

- Windows
- Switch Compartments
- Paint Finishes
- Rack Mounting
- Shelves
- Panels, Center
- Lifting Ears
- Custom Equipment Mounting
- Pedestal Adapter (reinforced bottom)
- Swing Rack
- Climate Control
  - Air Conditioner
  - Sunshields
  - Insulation
  - Heater

01	PROTOTYPE RELEASE	12/8/2007	J_GAO									
REV	ECN	DESCRIPTION	DATE									
REVISIONS												
DIMENSIONS ARE IN INCHES. UNLESS OTHERWISE SPECIFIED TOLERANCES ARE:		<table border="1"> <tr> <td>DRAWN</td> <td>J_GAO</td> <td>1/28/2007</td> </tr> <tr> <td>CHECKED</td> <td></td> <td></td> </tr> <tr> <td>DATE</td> <td></td> <td></td> </tr> </table>	DRAWN	J_GAO	1/28/2007	CHECKED			DATE			THIS DRAWING CONTAINS PROPRIETARY INFORMATION AND IS THE PROPERTY OF 8PX ENCLOSURES, INC. AND SHALL NOT BE TRANSMITTED OR REPRODUCED OR USED AS THE BASIS FOR MANUFACTURE OR SALE WITHOUT PRIOR WRITTEN PERMISSION.
DRAWN	J_GAO		1/28/2007									
CHECKED												
DATE												
FRACTIONS	DECIMALS	ANGLES										
± 1/16	XXX ±.015	#1-										
BEND RADIUS			TCFR74426A1254X1NNNNVORNNNNNI									
90° BEND REDUCTION												
MATERIAL			<table border="1"> <tr> <td>SIZE</td> <td>B</td> </tr> <tr> <td>DWG NO.</td> <td>1-200-00049</td> </tr> <tr> <td>SCALE:</td> <td></td> </tr> </table>	SIZE	B	DWG NO.	1-200-00049	SCALE:				
SIZE	B											
DWG NO.	1-200-00049											
SCALE:												



4

3

2

1

4

3

2

1