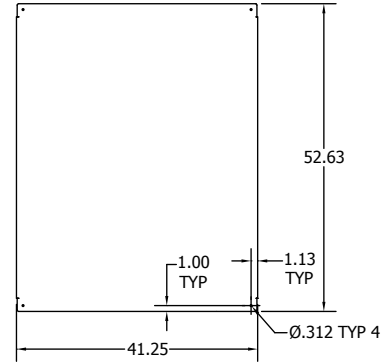


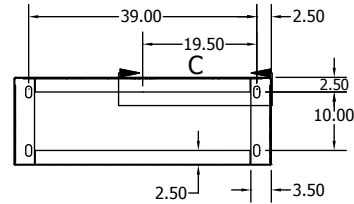
SECTION A-A



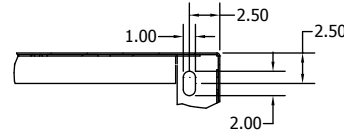
ALUMINUM PANELS

OPTIONS:

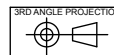
- Windows
- Switch Compartments
- Shelves
- Panels
- Painted Finishes
- Custom Equipment Mounting
- Climate Control
 - Air Conditioner
 - Sunshields
- Insulation
- Heater



SECTION B-B
PAD MOUNTING PATTERN



DETAIL C



01		PROTOTYPE RELEASE											
REV	ECN	DESCRIPTION	DATE	ENGINEER									
		REVISIONS											
		THIS DRAWING CONTAINS PROPRIETARY INFORMATION AND IS THE PROPERTY OF APX ENCLOSURES, INC. AND SHALL NOT BE TRANSMITTED OR REPRODUCED OR USED AS THE BASIS FOR MANUFACTURE OR SALE WITHOUT PRIOR WRITTEN PERMISSION.											
DIMENSIONS ARE IN INCHES: UNLESS OTHERWISE SPECIFIED TOLERANCES ARE: FRACTIONS DECIMALS ANGLES ± 1/16 .XXX ± 0.15 ± 1°		<table border="1"> <tr><td>DESIGN</td><td></td></tr> <tr><td>CHECKED</td><td></td></tr> <tr><td>DRG</td><td></td></tr> <tr><td>REV MOD</td><td></td></tr> </table>		DESIGN		CHECKED		DRG		REV MOD		TCDD604415A1254X1-CAT STD	
DESIGN													
CHECKED													
DRG													
REV MOD													
BEND RADIUS		DRAWN		SCALE									
R/F BEND DEDUCTION		DRG		SIZE									
MATERIAL		REV		DWG. NO. 1-300-000051									
				REV 01									
				SCALE: SHEET 1 OF 1									