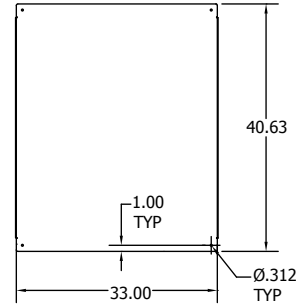
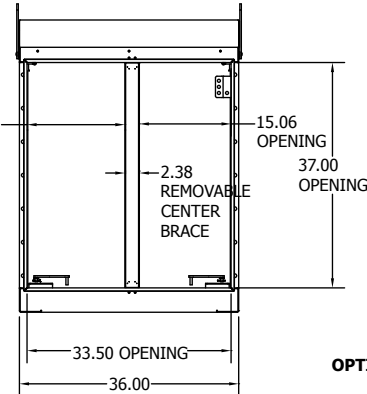
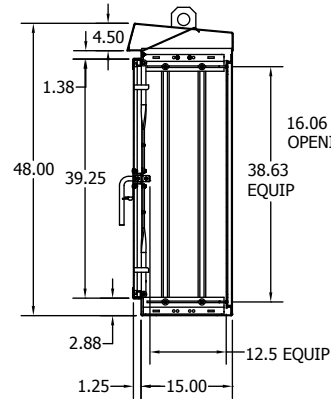
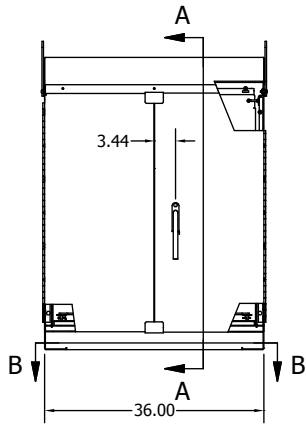


4

3

2

1



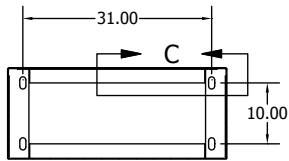
ALUMINUM PANEL

OPTIONS:

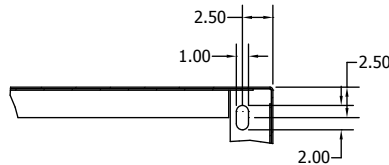
- Windows
- Switch Compartments
- Shelves
- Panels
- Painted Finishes
- Custom Equipment Mounting
- Climate Control
 - Air Conditioner
 - Sunshields
 - Insulation
 - Heater

SECTION A-A

DOORS NOT SHOWN

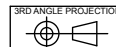


SECTION B-B



DETAIL C

01	PROTOTYPE RELEASE	2011/06	JGAO
REV	ECN	DATE	ENGINEER
DIMENSIONS ARE IN INCHES. UNLESS OTHERWISE SPECIFIED TOLERANCES ARE:		THIS DRAWING CONTAINS PROPRIETARY INFORMATION AND IS THE PROPERTY OF APC ENCLOSURES, INC. AND SHALL NOT BE TRANSMITTED OR REPRODUCED OR USED AS THE BASIS FOR MANUFACTURE OR SALE WITHOUT PRIOR WRITTEN PERMISSION.	
FRACTIONS	DECIMALS	ANGLES	REVISIONS
± 1/16	XXX ±.015	±1°	DRAWN: JGAO
90° BEND RADIUS		CHECKED: JGAO	
126.06 lbmass		DATE: 2011/06/08	
MATERIAL		REV: 01	
SCALE:		DWG. NO. 1-300-000548	
		SHEET 1 OF 1	



4

3

2

1