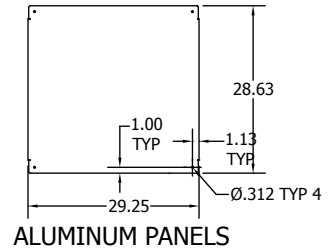
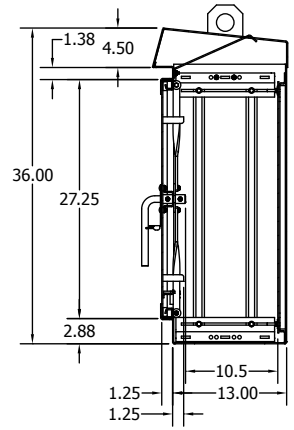
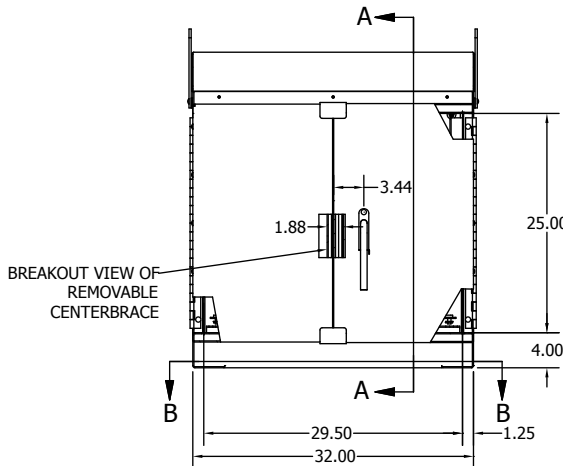


4

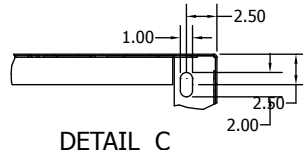
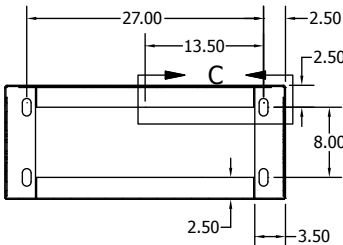
3

2

1



- OPTIONS:**
- Windows
 - Switch Compartments
 - Shelves
 - Panels
 - Painted Finishes
 - Custom Equipment Mounting
 - Climate Control
 - Air Conditioner
 - Sunshields
 - Insulation
 - Heater



**SECTION B-B
PAD MOUNTING PATTERN**

SECTION A-A

DETAIL C

01	PROTOTYPE RELEASE	5/5/2015	King									
REV	ECN	DESCRIPTION	DATE									
REVISIONS												
DIMENSIONS ARE IN INCHES UNLESS OTHERWISE SPECIFIED TOLERANCES ARE: FRACTIONS DECIMALS ANGLES ± 1/16 .XXX ± 0.15 ±1-		THIS DRAWING CONTAINS PROPRIETARY INFORMATION AND IS THE PROPERTY OF APX ENCLOSURES, INC. AND SHALL NOT BE TRANSMITTED OR REPRODUCED OR USED AS THE BASIS FOR MANUFACTURE OR SALE WITHOUT PRIOR WRITTEN PERMISSION.										
BEND RADIUS OF BEND REDUCTION Ø8.53 fbmass		<table border="1"> <tr> <td>DRAWN</td> <td>CHKD</td> <td>ISSUED</td> </tr> <tr> <td>DATE</td> <td>BY</td> <td>DATE</td> </tr> <tr> <td> </td> <td> </td> <td> </td> </tr> </table>	DRAWN	CHKD	ISSUED	DATE	BY	DATE				TCDD363213A1254X1-CAT STD
DRAWN	CHKD	ISSUED										
DATE	BY	DATE										
3RD ANGLE PROJECTION	SIZE B	EDWG NO. 1-300-000603	REV 01									
SCALE:		SHEET 1 OF 1										

4

3

2

1